

FIG. 2

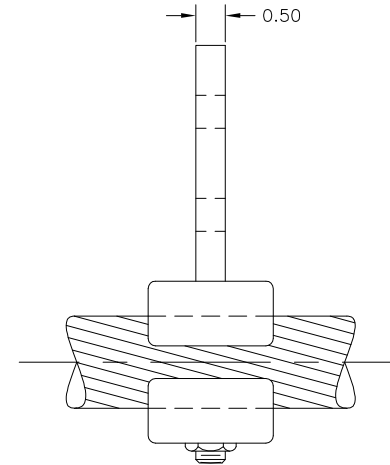
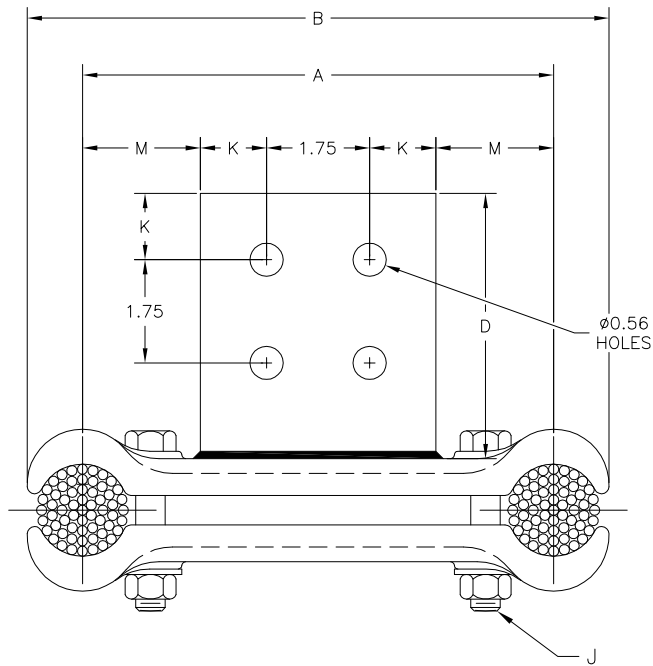


FIG. 1

NOTES:

1. MATERIAL: CASTINGS - 356-T6 ALUMINUM ALLOY  
PAD - 6061-T6 ALUMINUM ALLOY  
HARDWARE - ALUMINUM ALLOY
2. DIMENSION IN INCHES
3. LIMITED CURRENT CARRYING CAPACITY. FOR USE ON LIGHTNING ARRESTER TYPE EQUIPMENT.

57790	9/29/14	JLB	JLB
EC #	DATE	CHG BY	RESP ENG
DESC OF DWG: UPDATE DRAWING TO AUTOCAD FILE			
--			
--			
--			
REASON(S) FOR CHANGE: --			
DISPOSITION OF MAT'L: --			

ANDERSON<sup>®</sup>



HUBBELL<sup>®</sup> POWER SYSTEMS

TITLE CABLE SPACER			
WITH TONGUE FOR LOW VOLTAGE SUBSTATION USE			
SIZE	DWG NO.	CAT / PART / ASSY NO.	REV
C	C-11255	SEE TABLE	14
DO NOT SCALE THIS DRAWING	DRN BY JS	DATE 11/29/76	SHEET 1 of 2

CONFIDENTIAL: THIS DRAWING AND ITS CONTENTS ARE CONFIDENTIAL AND THE EXCLUSIVE PROPERTY OF HUBBELL POWER SYSTEMS. NO PUBLICATION, DISTRIBUTION OR COPIES MAY BE MADE WITHOUT THE WRITTEN CONSENT OF HUBBELL POWER SYSTEMS. HUBBELL POWER SYSTEMS UNPUBLISHED ALL RIGHTS RESERVED UNDER THE COPYRIGHT LAWS.

CATALOG NUMBER	CONDUCTOR RANGE (MCM)		DECIMAL RANGE	FIG. NO.	A	B	C	D	J	K	M
	AAC	ACSR									
APCSF-9-D-8	350-600	336.4-477	0.681-0.893	1	8.000	9.250	4.000	4.500	0.500	1.125	2.000
APCSF-9-D-12	350-600	336.4-477	0.681-0.893	1	12.000	13.250	4.000	4.500	0.500	1.125	4.000
APCSF-9-D-8-90	350-600	336.4-477	0.681-0.893	2	8.000	9.250	4.000	4.500	0.500	1.125	-
APCSF-9-D-12-90	350-600	336.4-477	0.681-0.893	2	12.000	13.250	4.000	4.500	0.500	1.125	-
APCSF-11-C-8	600-900	556.5-795	0.870-1.108	1	8.000	9.500	3.000	3.500	0.500	0.625	2.500
APCSF-11-D-8	600-900	556.5-795	0.870-1.108	1	8.000	9.500	4.000	4.500	0.500	1.125	2.000
APCSF-11-D-12	600-900	556.5-795	0.870-1.108	1	12.000	13.500	4.000	4.500	0.500	1.125	4.000
APCSF-11-D-8-90	600-900	556.5-795	0.870-1.108	2	8.000	9.500	4.000	4.500	0.500	1.125	-
APCSF-13-D-8	900-1250	715.5-1113	1.081-1.293	1	8.000	9.750	4.000	4.500	0.500	1.125	2.000
APCSF-13-D-12	900-1250	715.5-1113	1.081-1.293	1	12.000	13.750	4.000	4.500	0.500	1.125	4.000
APCSF-13-D-6-90	900-1250	715.5-1113	1.081-1.293	2	6.000	7.750	4.000	4.500	0.500	1.125	-
APCSF-13-D-8-90	900-1250	715.5-1113	1.081-1.293	2	8.000	9.750	4.000	4.500	0.500	1.125	-
APCSF-13-D-12-90	900-1250	715.5-1113	1.081-1.293	2	12.000	13.750	4.000	4.500	0.500	1.125	-
APCSF-15-D-8	1250-1600	1113-1272	1.289-1.459	1	8.000	9.875	4.000	4.500	0.500	1.125	2.000
APCSF-15-D-12	1250-1600	1113-1272	1.289-1.459	1	12.000	13.875	4.000	4.500	0.500	1.125	4.000
APCSF-15-D-8-90	1250-1600	1113-1272	1.289-1.459	2	8.000	9.875	4.000	5.000	0.500	1.125	-
APCSF-16-C-8	1500-2000	1272-1590	1.382-1.632	1	8.000	10.063	3.000	3.500	0.625	0.625	2.500
APCSF-16-D-12	1500-2000	1272-1590	1.382-1.632	1	12.000	14.063	4.000	4.500	0.625	1.125	4.000
APCSF-16-C-8-90	1500-2000	1272-1590	1.382-1.632	2	8.000	10.063	3.000	3.625	0.625	0.625	-
APCSF-16-D-5-90	1500-2000	1272-1590	1.382-1.632	2	5.000	7.063	4.000	4.500	0.625	1.125	-
APCSF-16-D-8-90	1500-2000	1272-1590	1.382-1.632	2	8.000	10.063	4.000	4.500	0.625	1.125	-
APCSF-16-D-12-90	1500-2000	1272-1590	1.382-1.632	2	12.000	14.063	4.000	4.500	0.625	1.125	-
APCSF-18-D-8	2000-2500	2156-2167	1.632-1.824	1	8.000	10.250	4.000	5.000	0.625	1.125	2.000
APCSF-18-D-12	2000-2500	2156-2167	1.632-1.824	1	12.000	14.250	4.000	4.500	0.625	1.125	4.000
APCSF-18-D-18-90	2000-2500	2156-2167	1.632-1.824	2	18.000	20.250	4.000	4.500	0.625	1.125	7.000

57790	9/29/14	JLB	JLB
EC #	DATE	CHG BY	RESP ENG
DESC OF DWG SEE PAGE 1			
REASON(S) FOR CHANGE: --			
DISPOSITION OF MAT'L: --			

ANDERSON®



HUBBELL® POWER SYSTEMS

CONFIDENTIAL: THIS DRAWING AND ITS CONTENTS ARE CONFIDENTIAL AND THE EXCLUSIVE PROPERTY OF HUBBELL POWER SYSTEMS. NO PUBLICATION, DISTRIBUTION OR COPIES MAY BE MADE WITHOUT THE WRITTEN CONSENT OF HUBBELL POWER SYSTEMS. HUBBELL POWER SYSTEMS UNPUBLISHED. ALL RIGHTS RESERVED UNDER THE COPYRIGHT LAWS.

TITLE CABLE SPACER			
WITH TONGUE FOR LOW VOLTAGE SUBSTATION USE			
SIZE	DWG NO.	CAT / PART / ASSY NO.	REV
C	C-11255	SEE TABLE	14
DO NOT SCALE THIS DRAWING	DRN BY JS	DATE 11/29/76	SHEET 2 OF 2